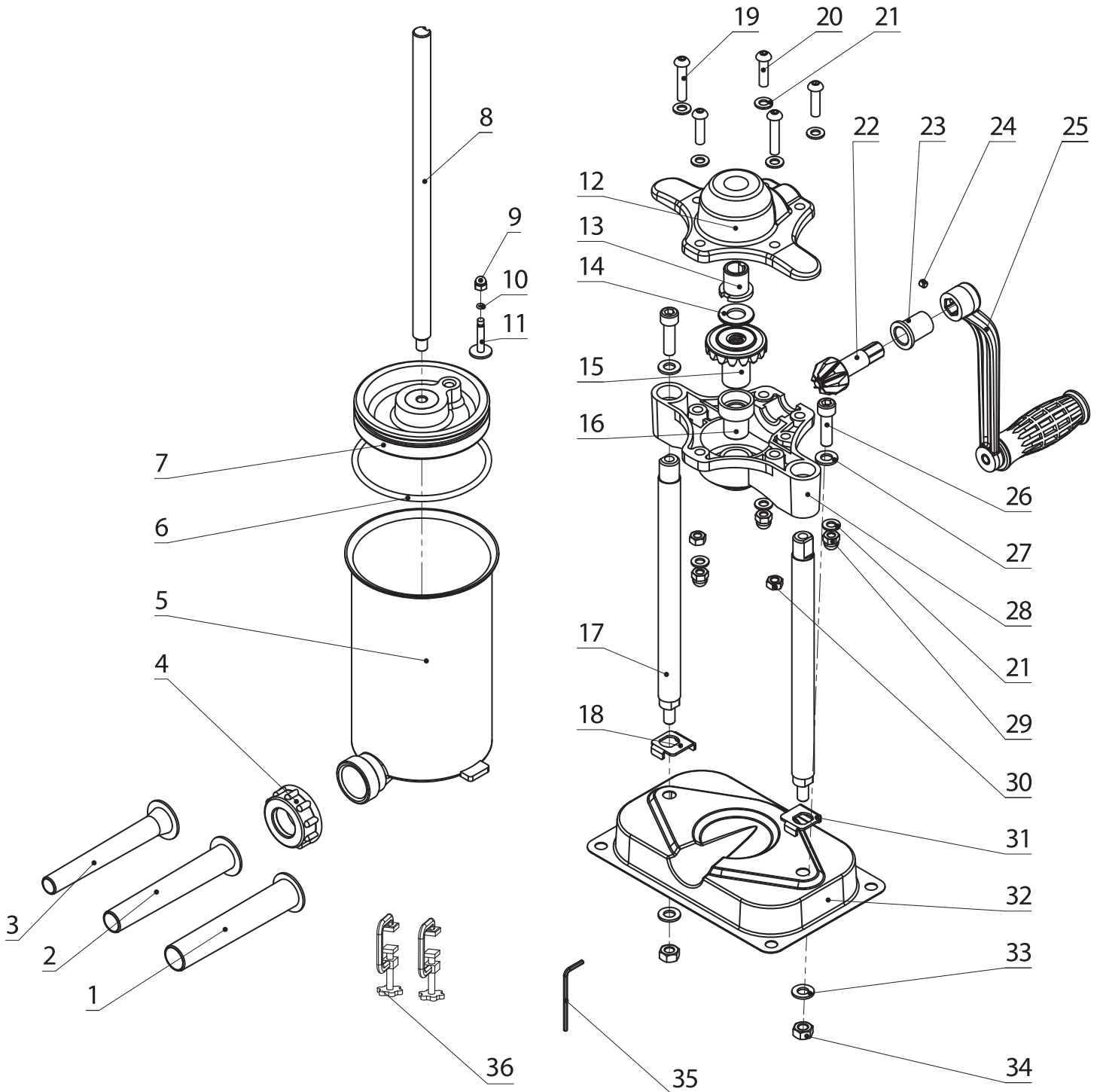


Parts Breakdown

Item 44203



Parts Breakdown

Item 44203

Item No.	Description	Position	Item No.	Description	Position	Item No.	Description	Position
AH380	Stuffing Tube Set for 44203	1 - 3	AH391	Plastic Positioning Bushing for 44203	16	AH402	Plain Base Washer for 44203	27
AH381	Retaining Ring for 44203	4	AH392	Vertical Shaft for 44203	17	AH403	Lower Cover for 44203	28
AH382	Cylinder for 44203	5	AH393	Left Stop Plate for 44203	18	AH404	Acorn Nut M8 for 44203	29
72335	O-Ring Piston Gasket for 44203	6	AH394	Long Hexagon Socket Button Head Screw M8x40 for 44203	19	AH405	Hexagon Nut M8 for 44203	30
AH384	Piston for 44203	7	AH395	Hexagon Socket Button Head Screw M8x30 for 44203	20	AH406	Right Stop for 44203	31
AH385	Threaded Rod for 44203	8	AH396	Plain Washer for 44203	21	AH407	Base for 44203	32
AH386	Acorn Nut M6, O Ring for Air Release, Air Release Valve for 44203	9 - 11	AH397	Horizontal Metal Gear for 44203	22	AH408	Base Washer 27mm M10 for 44203	33
AH387	Upper Cover for 44203	12	AH398	Horizontal Gear Bushing for 44203	23	AH409	Base Hexagon Nut M10 for 44203	34
AH388	Metal Fixing Bushing for 44203	13	AH399	Hexagon Socket Set Screw with Flat Point M6x6 for 44203	24	AH410	L-Hexagon Wrench for 44203	35
AH389	Washer for Vertical Gear for 44203	14	AH400	Handle Set for 44203	25	AH411	Clamps for 44203	36
AH390	Vertical Metal Gear for 44203	15	AH401	Hexagon Socket Head Cap Screw M10x35 for 44203	26			